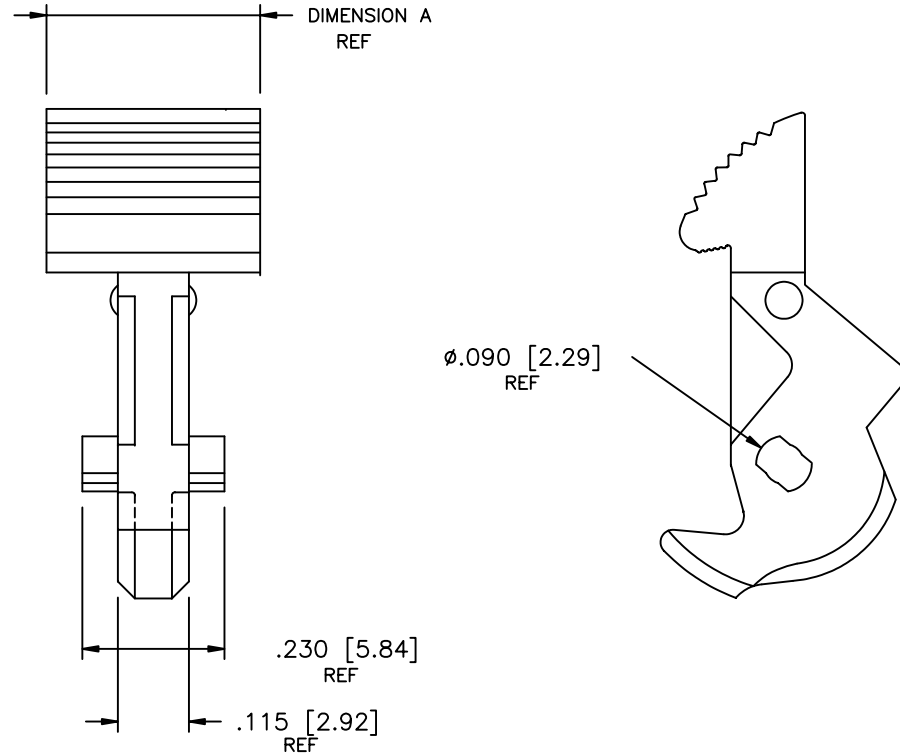
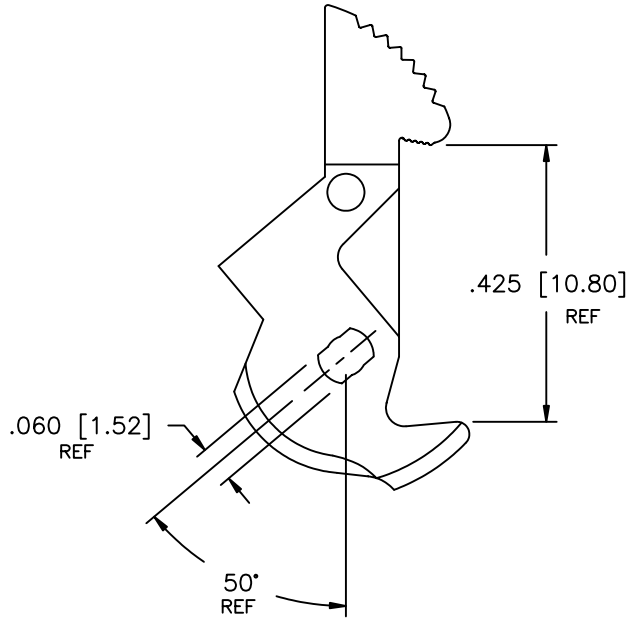


Tous droits strictement reserves. Reproduction ou communication a des tiers interdite sous quelque forme que ce soit sans autorisation ecrite du propriétaire.  
 Propriete de ©BERG ELECTRONICS. Droits de reproduction BERG ELECTRONICS INC.



All rights strictly reserved. Reproduction or issue to third parties in any form whatever is not permitted without written authority from the proprietor.  
 Property of ©BERG ELECTRONICS Copyright BERG ELECTRONICS INC.

PRODUCT NUMBER	MATERIAL COLOR	MATERIAL TYPE	DIMENSION A
66177-001	BLUE	PET	5.97
66177-002	BLACK	PPS	
66177-003	BLUE (HIGH TEMP)	PET	
66177-004	BLACK (HIGH TEMP)	PCT	
66177-005	GRAY	PBT	8.80±0.20
66177-006	BLUE	PBT	



NOTE:

- MOLDING MAT'L: GLASS FILLED POLYESTER, FLAME RETARDANT PER UL-94V-0. COLOR; SEE TABLE
- ADD 'LF' SUFFIX AT THE END OF PART NUMBER FOR LEAD FREE OPTION.
- IF 'LF' P/N THE PRODUCT MEETS EUROPEAN UNION DIRECTIVES AND OTHER COUNTRY REGULATION AS DESCRIBED IN GS-22-008.
- THE HOUSING WILL WITHSTAND EXPOSURE TO 260° PEAK TEMPERATURE FOR 15 SECONDS IN A WAVE SOLDER APPLICATION WITH A 1.5mm MINIMUM THICK CIRCUIT BOARD. SEE APPLICATION NOTES/PROCEDURES IF THEY ARE AVAILABLE.

mat'l. code				tolerances unless otherwise specified			CUSTOMER COPY		BERG ELECTRONICS	
NOTE 1				.XX±.01/0.25			projection		title	
ltr	ecn no	dr	date	linear	.XXX±.005/0.13			SEA-HORSE LATCH LOW PROFILE		
B	-NONE-	RDS	5/6/88		.XXXX±.0020/0.051			product family QKIE code		
C	V61149	EPK	8/16/96	angles	0° ±2°			size dwg no		
D	N06-0027	DT	1/24/06					A 66177		
E	N06-0112	LONG	4/18/06	dr	D. SHEAFFER	5/6/88	INCH/MM		sheet 1 of 1	
				enrg	R. DOUTRICH	5/6/88	scale 3:1			
				chr	R. DOUTRICH	5/6/88				
				appd	R. DOUTRICH	5/6/88				
sheet index	revision sheet	E	1							